

VERY IMPORTANT NOTE

This Revotec Cooling Kit has been engineered to provide perfect cooling for your Range Rover P38. However it is essential the other components of the cooling system are operating correctly.

The following must be checked:

1. The Radiator has a normal life expectancy of approx 8-9 Years after this time It should be thoroughly assessed and any signs of deterioration such as furring up internally or out of shape it is recommended it is replaced.
2. The Radiator fins Must be clear of all debris such as mud and leaves.
3. The system Must be filled with Correct Coolant.
4. The Water Pump and thermostat must be operating correctly.

1. Remove the Viscous Fan and Fan shroud from the radiator.

2. Assemble the fan to the brackets using the M6 x 25mm screws, 5mm spacers, M6 washers and the M6 Nyloc nuts in the order shown in Fig. 1 & Fig. 2.

3. Carefully fit the fan and bracket assembly in position on the radiator, loosely fit the top of each bracket to the side radiator mounts using M6 x 16mm screws, M6 washers and M6 Nyloc nuts Fig. 3, then bolt the bottom in place using the remaining M6 x 16mm screws, M6 washers and M6 Nyloc nuts Fig. 4, fully tighten the mounting bolts making sure the fan assembly is free from strain, Fig. 5.

6. Follow the separate fitting and set up instructions for the Revotec fan controller. The Controller has an extended positive feed wire with sufficient cable to be fed around the bulkhead and into the fuse box for connection to a live feed. Both the fan controller and fan earth connections must be made to a good chassis/body point, not to the radiator or fan shroud.

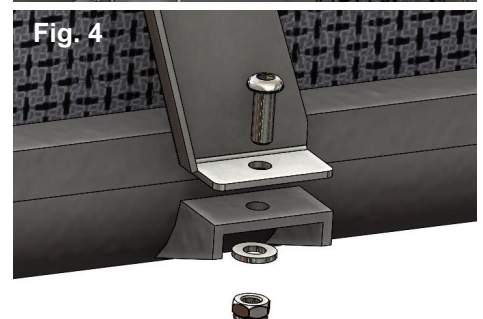
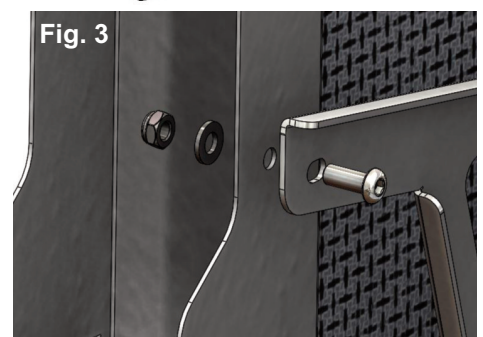
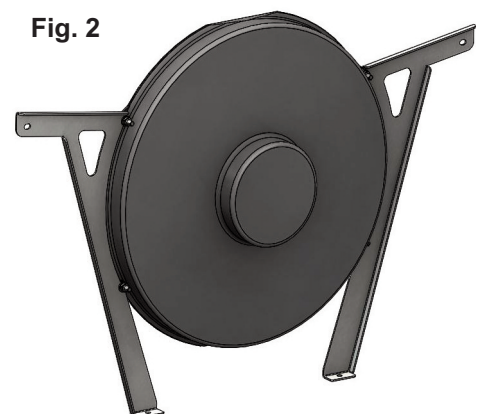


Fig. 5

