

VERY IMPORTANT NOTE

This Revotec Cooling Kit has been engineered to provide perfect cooling for your Series 2, 2A and 3. However it is essential the other components of the cooling system are operating correctly.

The following must be checked:

1. The Radiator has a normal life expectancy of approx 8-9 Years after this time It should be thoroughly assessed and any signs of deterioration such as furring up internally or out of shape it is recommended it is replaced.
2. The Radiator fins Must be clear of all debris such as mud and leaves.
3. The system Must be filled with Correct Coolant.
4. The Water Pump and thermostat must be operating correctly.

Disconnect the battery terminal.

1. Drain the water system, remove the top hose and the front grill.

2. With reference to Fig.1 slide the 4 plastic fan brackets (2) into the slots on the fan (7).

3. With reference to Fig.2 slide the coach bolt (1) into the fan brackets, the square of the coach bolt is designed to locate in the slot of the fan bracket (2) we supply 2 different lengths of spacers in the kit (3) the short spacers tend to suit the S3's or vehicles fitted with a tropical core, the longer spacers tend to suit the S2 and S2A's, slide the selected spacer over the exposed threads then the fan brackets (4) (using Fig. 3 as a reference to their position) then the washer (5) and loosely fit the supplied M6 nuts (6). Fig.3 shows fully assembled bracket assembly.

4. An extra pair of hands would helpful at this point, remove the original radiator mounting bolts through the wing, pick the bracket and fan assembly up by the brackets on either side and slide the brackets in to their narrowest position, then gently guide the assembly into position (Fig.4), mount in place using the original mounting bolts and tighten the fan bracket nuts.

6. Follow Electronic Fan Controller instructions for information on connection and set-up.

7. Replenish the water system and check for leaks.

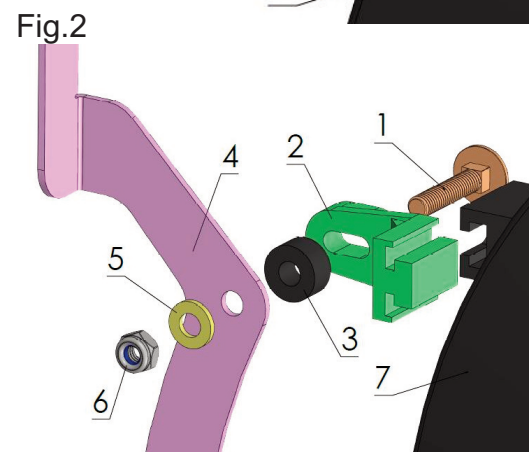
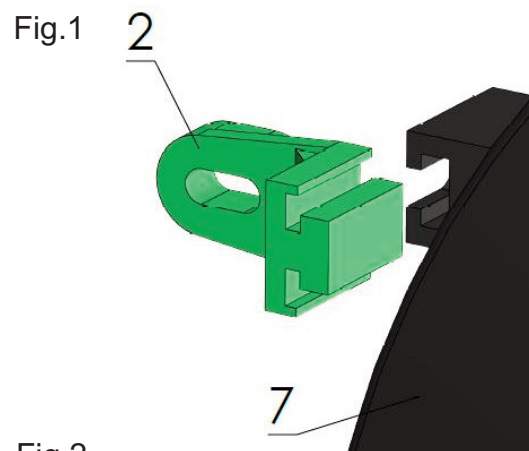


Fig.4

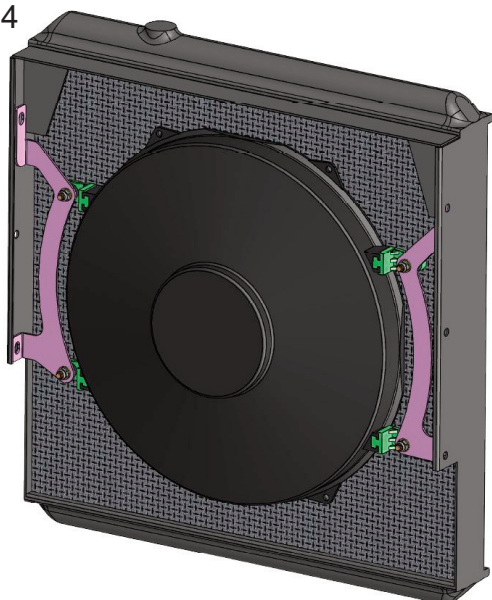


Fig.3

